

EHPT15-21X-UKHDW1S

FTC6 **Standard** Pre-Plumbed Cylinder
For Ecodan R32 Monobloc Units



Key Features:

- Unvented plug & play pre-plumbed DHW cylinder
- Efficient & rapid heating
- Premium quality insulation
- Flexible 2-zone space heating control
- MELCloud enabled

Key Benefits:

- Minimal installation time
- Excellent hot water recovery times
- Reduced heat losses and running costs
- Improved comfort and reduced energy use
- Remote control, monitoring, maintenance and technical support



MELCloud



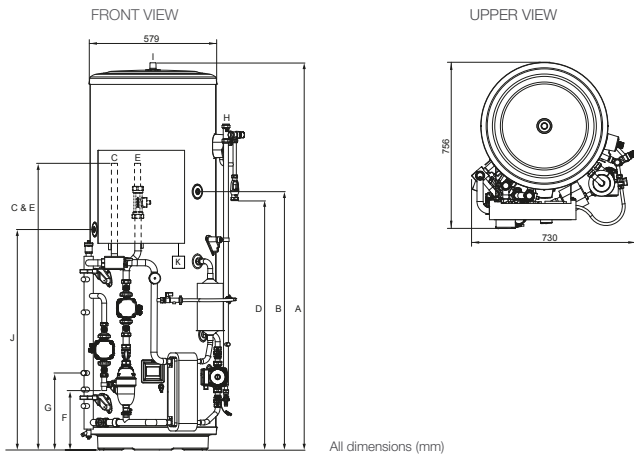
ecodan[®]
Renewable Heating Technology

CYLINDER			EHPT15X-UKHDW1S	EHPT17X-UKHDW1S	EHPT21X-UKHDW1S
NOMINAL HOT WATER VOLUME (LITRES)			150	170	210
ErP RATING			B	B	C
HEAT LOSS (kWh/24hrs)			1.15	1.23	1.53
HEAT LOSS (W)			48	51	64
WATER					
Flow Rate (l/min) - WM 50 / 60 / 85			14 / 17 / 24	14 / 17 / 24	14 / 17 / 24
Primary Circuit Pump				Grundfos UPM3L 25-75 130AZA	
Heating Circuit Pump				Grundfos UPM3 AUTO 25-70 130	
Sanitary Hot Water Pump				Grundfos UPSO 15-60 CIL2	
Connection Size (mm) Heating / DHW			22 / 22	22 / 22	22 / 22
Charge Pressure (MPa (Bar))			0.35 (3.5)	0.35 (3.5)	0.35 (3.5)
WATER SAFETY					
Water Circuit DHW Cylinder	Control Thermistor (°C)		80	80	80
	DHW Expansion Vessel (Litres)		12	18	18
	Control Thermistor (°C)		75	75	75
	Over Temperature Cut-Out (°C)		80 +/- 5	80 +/- 5	80 +/- 5
	Temp and Pressure Relief Valve (°C) / (MPa (Bar))		90 / 1.0 (10)	90 / 1.0 (10)	90 / 1.0 (10)
	Expansion Relief Valve (Cold) (MPa (Bar))		0.8 (8)	0.8 (8)	0.8 (8)
DIMENSIONS (mm)					
Width			730	730	730
Depth			756	756	756
Height			1131	1257	1509
WEIGHT EMPTY / FULL (kg)			55/205	58/228	64/274
CYLINDER MATERIAL				Duplex stainless steel	
Cylinder				CFC / HCFC-free flame-retardant expanded Polyurethane	
Insulation					
Insulation Thickness (mm)			60	60	60
GWP of Insulation			3.1	3.1	3.1
ODP of Insulation			0	0	0
ELECTRICAL DATA					
Control Board - <i>optionally powered by outdoor unit</i>	Electrical Supply		220-240v ~, 50Hz	220-240v ~, 50Hz	220-240v ~, 50Hz
	Phase		Single	Single	Single
	Fuse Rating - MCB Sizes (A) ¹		16	16	16
Immersion Heater	Electrical Supply		220-240v ~, 50Hz	220-240v ~, 50Hz	220-240v ~, 50Hz
	Phase		Single	Single	Single
	Capacity (kW)		3	3	3
	Max Running Current (A)		13	13	13
	Fuse Rating - MCB Sizes (A) ¹		16	16	16
MECHANICAL ZONES				DHW and 1 Heating Zone ²	
OPTIONAL SIMPLIFIED WIRELESS ROOM THERMOSTAT AND WIRELESS RECEIVER				PAR-WT50-E Controller and PAR-WR51-E Receiver	

¹ MCB Sizes BS EN60898-2 & BS EN60947-2 ² Optional 2 zone accessory pack available.

Notes: Cylinder includes: Flow Temperature Controller (FTC6) with Main Controller and Temperature Sensors, Magnetic & Cyclonic Filter, Pumps & Valves for Primary Circuit and Zone 1 and DHW use, Flow Sensor, Plate Heat Exchanger, Scale Trap, 3kW Immersion Heater, Expansion Vessel, Diverter Valve and Low Loss Header.

EHPT15-21X-UKHDW1S DIMENSIONS



KEY

- A OVERALL HEIGHT
- B SECONDARY RETURN TAPPING (NOT FITTED TO EHPT15X-UKHDW1S/ EHPT17X-UKHDW1S)
- C HEAT PUMP FLOW CONNECTION (22mm O/D COPPER)
- D TUNDISH OUTLET CONNECTION (22mm COMPRESSION)
- E HEAT PUMP RETURN CONNECTION (22mm O/D COPPER)
- F HEATING ZONE 1 CIRCUIT FLOW CONNECTION (22mm O/D COPPER)
- G HEATING ZONE 1 CIRCUIT RETURN CONNECTION (22mm O/D COPPER)
- H COLD WATER INLET CONNECTION (22mm COMPRESSION)
- I HOT WATER OUTLET CONNECTION (22mm COMPRESSION / 3/4" BSP M)
- J THWSA SENSOR POCKET
- K WI-FI ADAPTOR (INCLUDED, INSTALLER TO LOCATE AND MOUNT)

Capacity	150	170	210
A	1131	1257	1509
B	Not Fitted	Not Fitted	1050
C	1122	1122	1122
D	505	630	880
E	1122	1122	1122
F	194	194	194
G	350	350	350
J	675	815	925
K	Installer to locate and mount		



Telephone: 01707 282880
email: heating@meuk.mee.com
ecodan.co.uk



UNITED KINGDOM Mitsubishi Electric Europe Living Environment Systems Division, Travellers Lane, Hatfield, Hertfordshire, AL10 8XB, England. Telephone: 01707 282880 Fax: 01707 278881
IRELAND Mitsubishi Electric Europe, Westgate Business Park, Ballymount, Dublin 24, Ireland. Telephone: (01) 419 8800 Fax: (01) 419 8890 International code: (003531)

Country of origin: United Kingdom - Japan - Thailand - Malaysia. ©Mitsubishi Electric Europe 2022. Mitsubishi and Mitsubishi Electric are trademarks of Mitsubishi Electric Europe B.V. The company reserves the right to make any variation in technical specification to the equipment described, or to withdraw or replace products without prior notification or public announcement. Mitsubishi Electric is constantly developing and improving its products. All descriptions, illustrations, drawings and specifications in this publication present only general particulars and shall not form part of any contract. All goods are supplied subject to the Company's General Conditions of Sale, a copy of which is available on request. Third-party product and brand names may be trademarks or registered trademarks of their respective owners.

Note: Refer to 'Installation Manual' and 'Instruction Book' for further 'Technical Information'. The fuse rating is for guidance only and please refer to the relevant databook for detailed specification. It is the responsibility of a qualified electrician/electrical engineer to select the correct cable size and fuse rating based on current regulation and site specific conditions. Mitsubishi Electric's air conditioning equipment and heat pump systems contain a fluorinated greenhouse gas, R410A (GWP:2088), R32 (GWP:675), R407C (GWP:1774), R134a (GWP:1430), R513A (GWP:631), R454B (GWP:466), R1234ze (GWP:7) or R1234yf (GWP:4). *These GWP values are based on Regulation (EU) No 517/2014 from IPCC 4th edition. In case of Regulation (EU) No.626/2011 from IPCC 3rd edition, these are as follows. R410A (GWP:1975), R32 (GWP:550), R407C (GWP:1650) or R134a (GWP:1300).

Effective as of August 2022

